

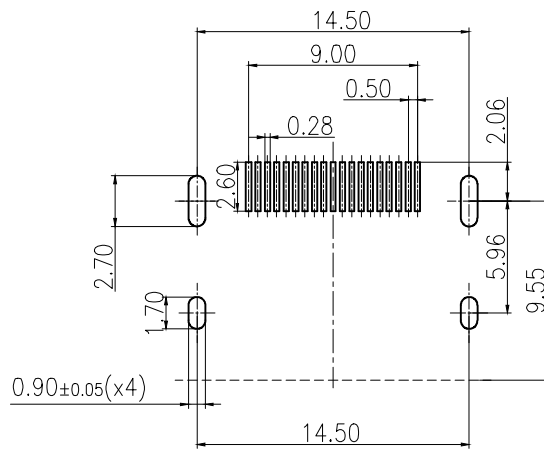
REV.	DESCRIPTION	CHANGED	ECN/NO.	DATE
A0	NEW ISSUE			2013/12/08

NOTE:

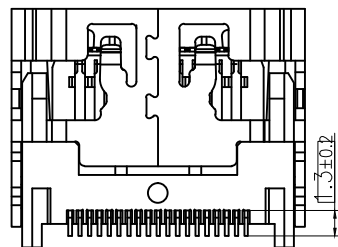
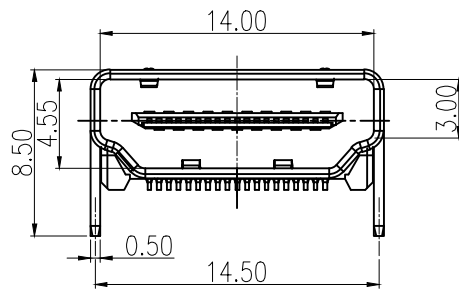
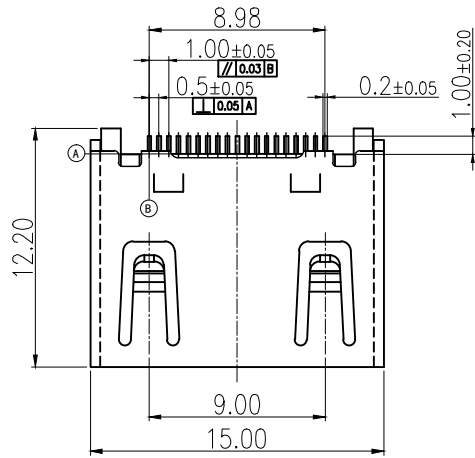
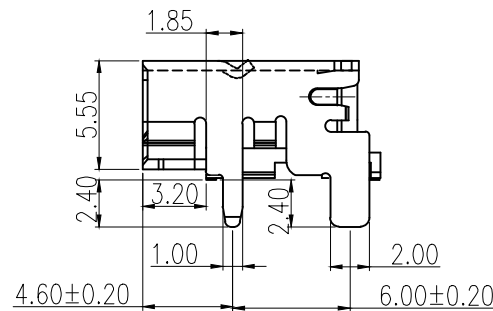
- Material:
 - Housing: Thermoplastics,UL94V-0; COLOR: BLACK
 - Contact: Copper Alloy
 - Shell: SPCC
- FINISH:
 - Contact: Au Plated on Contact Arca, Matte Tin Plated on Solder Tails, Nickel Underplating Over All.
 - Shell: Nickel Underplating Over All.
- Specification:
 - Electrical:
 - Insulation Resistance(EIA-364-21): 100MΩ Min. at 500V/DC for 1Minute.
 - Contact Resistance(EIA-364-06): 10 mΩ Max.
 - Dielectric Withstanding Voltage(EIA-364-20): No discharge, flashover or breakdown at 500V/AC 1Minute

Part Number:

HD F -- 19 S N A XX 02
 HDMI FEMALE SERIAL NUMBER
 PIN NUMBER: COLOR CODE: 01=WHITE 02=BLACK
 PLATING CODE: A=1u" B=3u"
 PROCESSING MODE: SHELL PLATING:
 S:SMT TYPE G:FRONT SHELL GOLD PLATING
 H:SOLDER TYPE N:FRONT SHELL NICKEL PLATING



SUGGESTED PCB LAYOUT
GENERAL TOLERANCES:±0.05



公差参考表					产品名称		HDMI 19P/F SMT外壳四脚插板			
X	±0.35	ANGLE		产品编号	HDF-20SXXXX02					
X.X	±0.25	X°	±2°	核准	版本	A0	单位	MM		
X.XX	±0.15	X.X°	±1.0°	审核	单重		比例			
X.XXX	±0.050	X.XX°	±0.50°	制图	李正华	模具编号	000-01-002	页数	1/1	

东莞昂瑞电子有限公司
DongGuan Dory Electronic CO., LTD.

